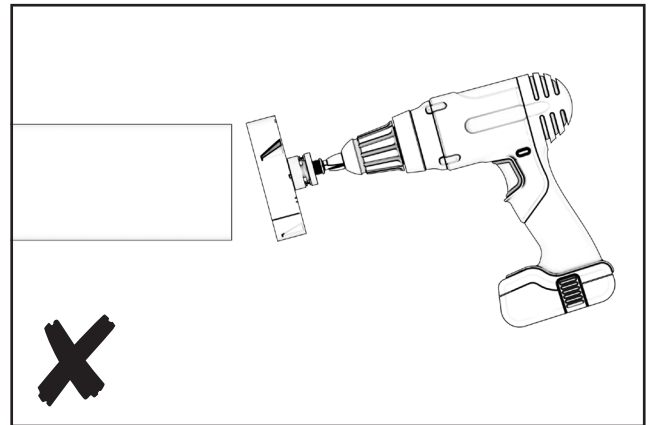
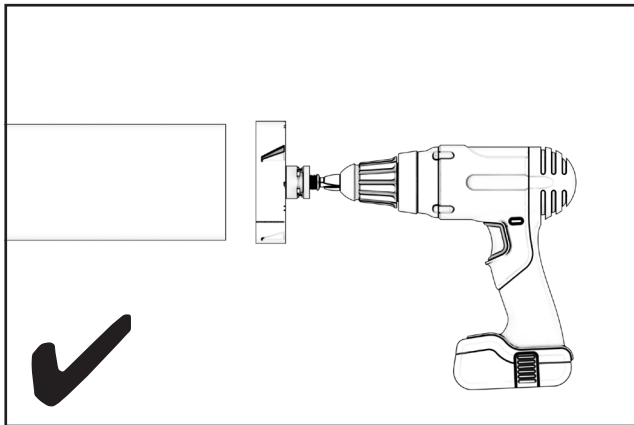
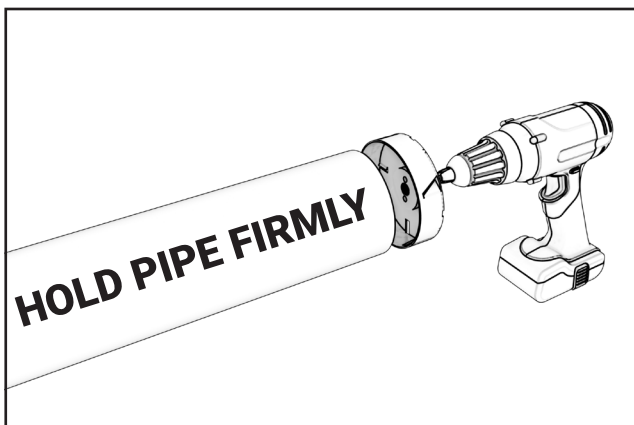


# BRUTE BEVELLER USER GUIDE

Ensure that the Brute Beveller remains aligned to the pipe at all times during bevelling

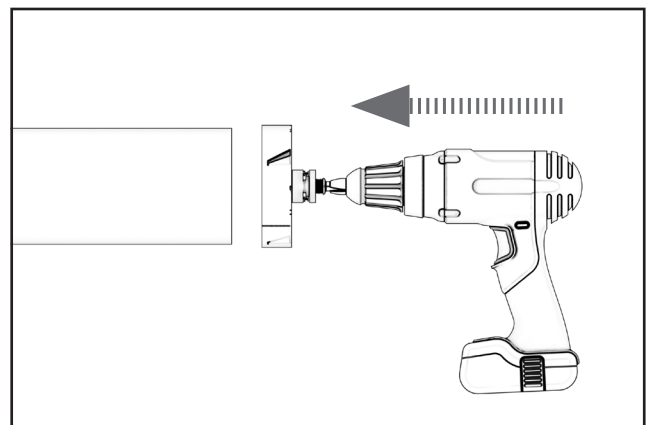


Keep the pipe held firmly at all times during bevelling\*



\* Failure to keep the pipe held firmly may result in a defective bevel

Only apply light pressure when bevelling  
Let the tool do the work\*\*



\*\* Too much pressure will reduce the effectiveness of the tool

**ALWAYS USE APPROPRIATE PERSONAL PROTECTIVE EQUIPMENT**

